

# Panelsource

*ENGINE & GENERATOR CONTROLS*

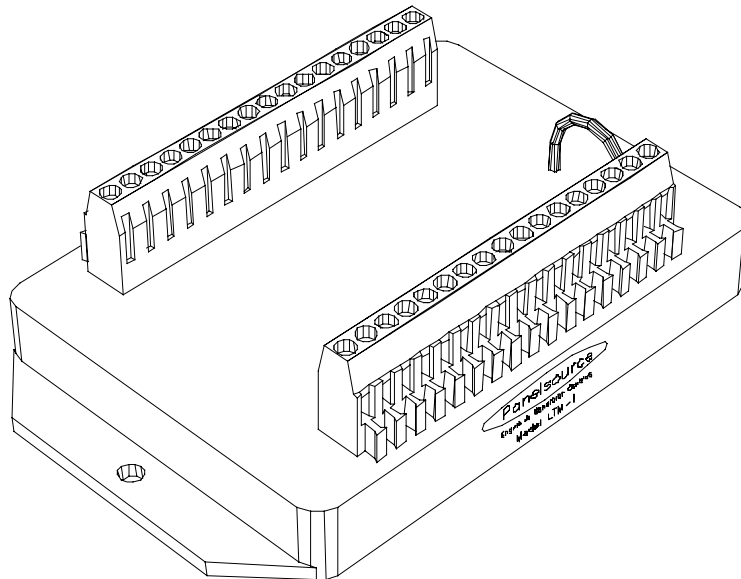
## LTM-1 LAMP TEST MODULE

The LTM-1 lamp test module is designed for up to 16 **positive voltage** input signals at 12 or 24 Volts D.C., to give visual and audible testing for fault lamp circuits. Anti-backfeed circuits are used so incoming signals are isolated from each other, allowing each signal to operate its own lamp/horn without affecting the remaining circuits; this feature also allows for lamp/horn testing with a momentary contact switch. This module is programmed so that a test signal will illuminate all lamps and sound the alarm horn. Testing lamps only can be set-up by cutting the white jumper, which removes the horn from the test circuit. Proven solid state circuits are designed for long, trouble free service, as there are no moving parts to wear out.

### Operation:

Refer to wiring diagram on page two. Switches from monitored functions are wired into inputs 1 through 16, to apply positive voltage to the appropriate terminal. Outputs from the LTM-1 are wired to the appropriate lamp circuits. A momentary contact switch applies a positive voltage to the test terminal. Pushing the test switch will attempt to illuminate all lamps, thus revealing those that have burned out. When a fault is detected, battery positive is applied to the lamp circuit through the LTM-1 module, and that lamp will remain lit as long as the fault is detected. If a second fault is detected, its lamp will illuminate as well but will not illuminate other non-faulted lamps because of the internal protective circuits.

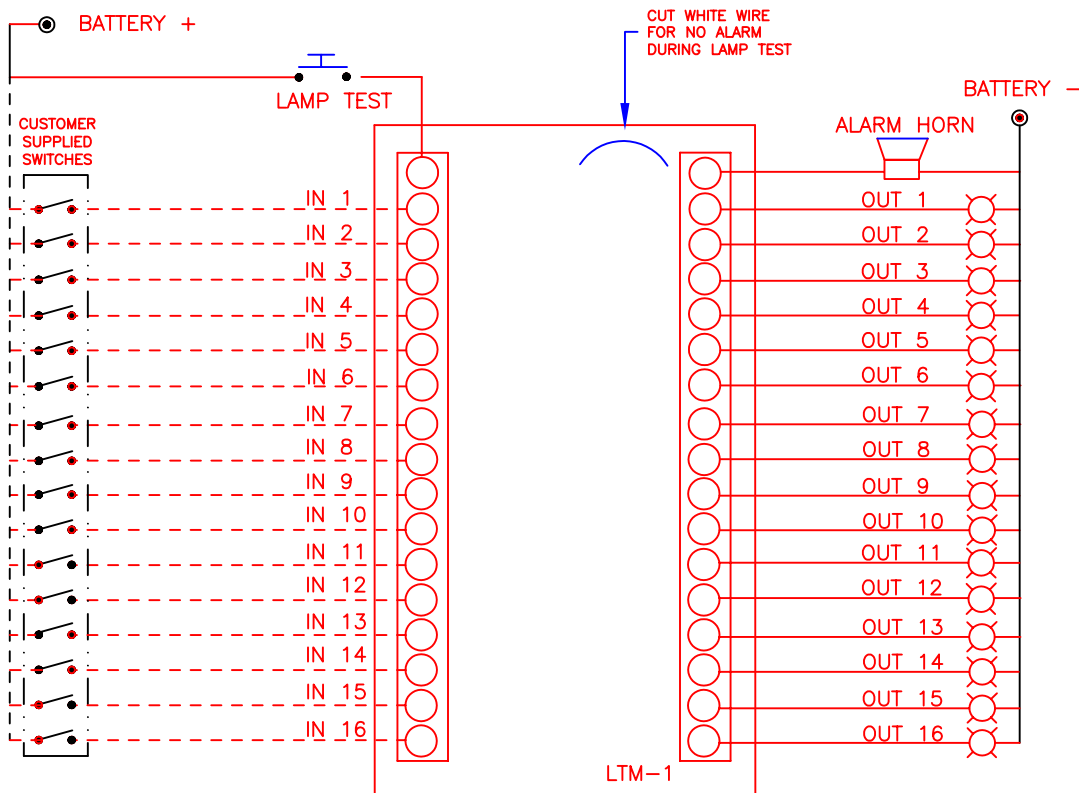
**THE LTM-1**



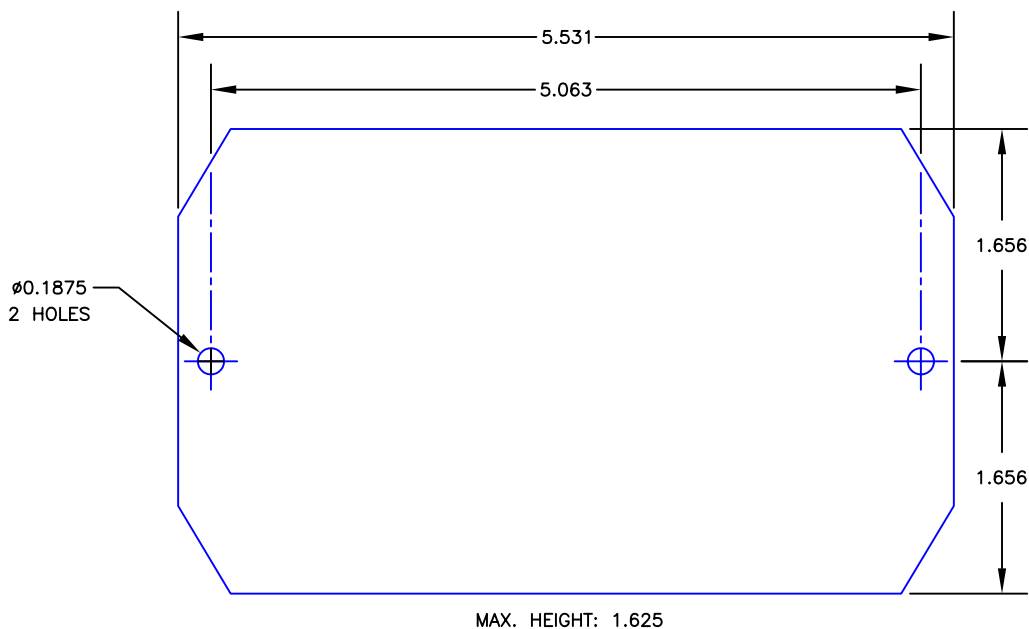
**National Marketing & Distribution by Davidson Sales Co.**

P.O. Box 9086, Daytona Beach, FL 32120 - Phone (904) 274-2079 - Fax (904) 274-2279

WIRING DIAGRAM



MOUNTING DIMENSIONS



- EXTERNAL CUSTOMER CONNECTION
- TERMINAL STRIP
- WIRED BY PANELSOURCE
- - - WIRED BY CUSTOMER

UNLESS OTHERWISE SPECIFIED:  
DIMENSIONS ARE IN INCHES

DO NOT SCALE DRAWING

DRAWN BY: RMW  
 CHECKED BY: DATE: 07/08/98

SCALE: NONE  
 REVISED:

**Panelsource**

ENGINE & GENERATOR CONTROLS

LTM-1

DRAWING NUMBER:  
L6610-A

SHEET 1 OF 1