

PUSH BUTTON EMERGENCY GENERATOR STOP SWITCH

Description:

Yellow nonmetallic NEMA 4X enclosure. Accepts one to three contact blocks. Labeled EMERGENCY GENERATOR STOP and PUSH BUTTON. Red operator is labeled PULL TO RESET.

Electrical Characteristics:

Contact blocks (normally open & closed)

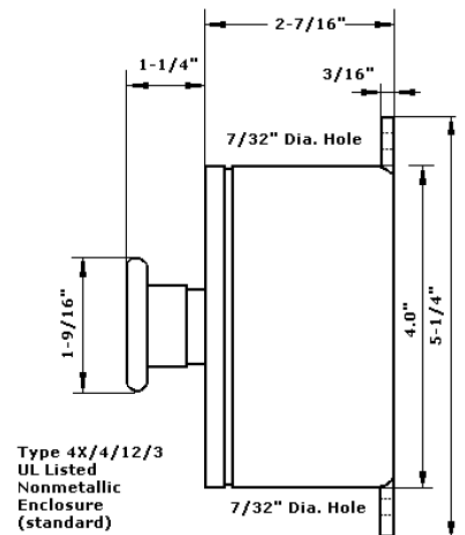
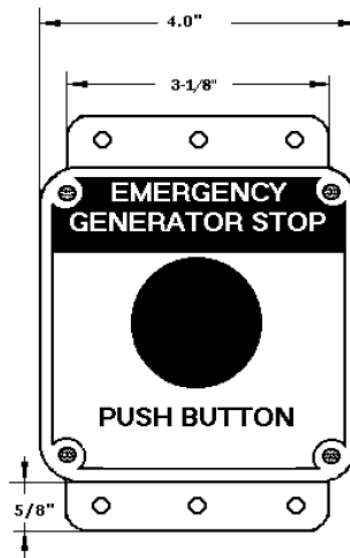
Screw and captive clamp terminals. Min: 1 X 24 AWG Max: 2 X 16 AWG

600 Vac @ 1.2 Amp 250 Vdc at 0.27Amp 120 Vdc @ 0.55 Amp

Specification:

PUSH BUTTON EMERGENCY GENERATOR STOP P/N GS120 uses a single push button operating mode. Using a maintained (push-pull) red 40mm mushroom operator hot stamped PULL TO RESET on the mushroom face. The operating mode reverses the nominal state of the installed contact blocks such that type contact blocks remain open/closed when the operator is pressed or pulled to reset.

P/N GS120



www.davidsonsales.com

839 Bill France Blvd., Daytona Beach, FL 32117

Phone (386)274-2079 Phone (800)383-2078

Fax (386)274-2279 Fax (800)475-2279